



HUBER+SUHNER® PLANAR ANTENNA FOR WIRELESS COMMUNICATION

SPA 1819/85/8/0/V

Technical Data

Electrical Properties

Frequency range	1710 - 1990 MHz
Impedance	50 Ω
VSWR	1.5
Polarization	linear, vertical
Gain	7.0 dBi (1710 – 1850 MHz) 7.5 dBi (1850 – 1990 MHz)
3 dB beamwidth horizontal	90°
3 dB beamwidth vertical	70°
Downtilt	0°
Front to back ratio	20 dB
Max. power	75 W (CW) at 25°C

Mechanical & Environmental Properties

Dimensions	101 x 80 x 20 mm (3.97" x 3.15" x 0.79")
Weight	0.13 kg (0.29 lbs.)
Radome material	ASA
Radome colour	RAL 7035 (light grey)
2002/95/EC (RoHS)	compliant
Operating temperature range	- 40°C to + 80°C
Storage temperature range	- 40°C to + 80°C
Windload	15 N at 160km/h (100mph)

Available Types

Available Types	Article no.
1319.26.0108	22659474 TNC female

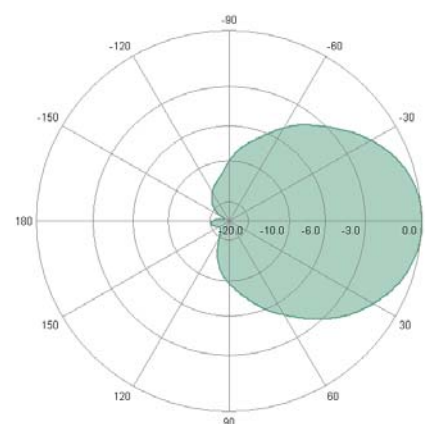
Wall and mast mounting bracket (1 metal band) included, mast diameter 40-60 mm (1.57" – 2.36")

Documents

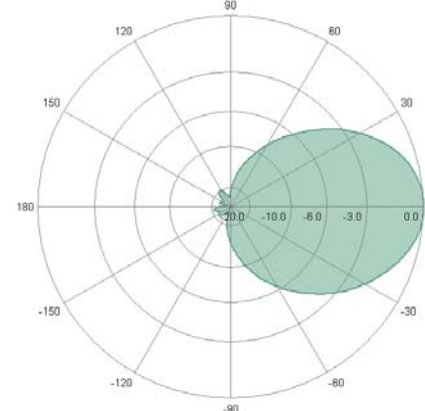
01.02.0777	security instruction
01.02.1033	mounting instruction



Radiation Pattern



horizontal



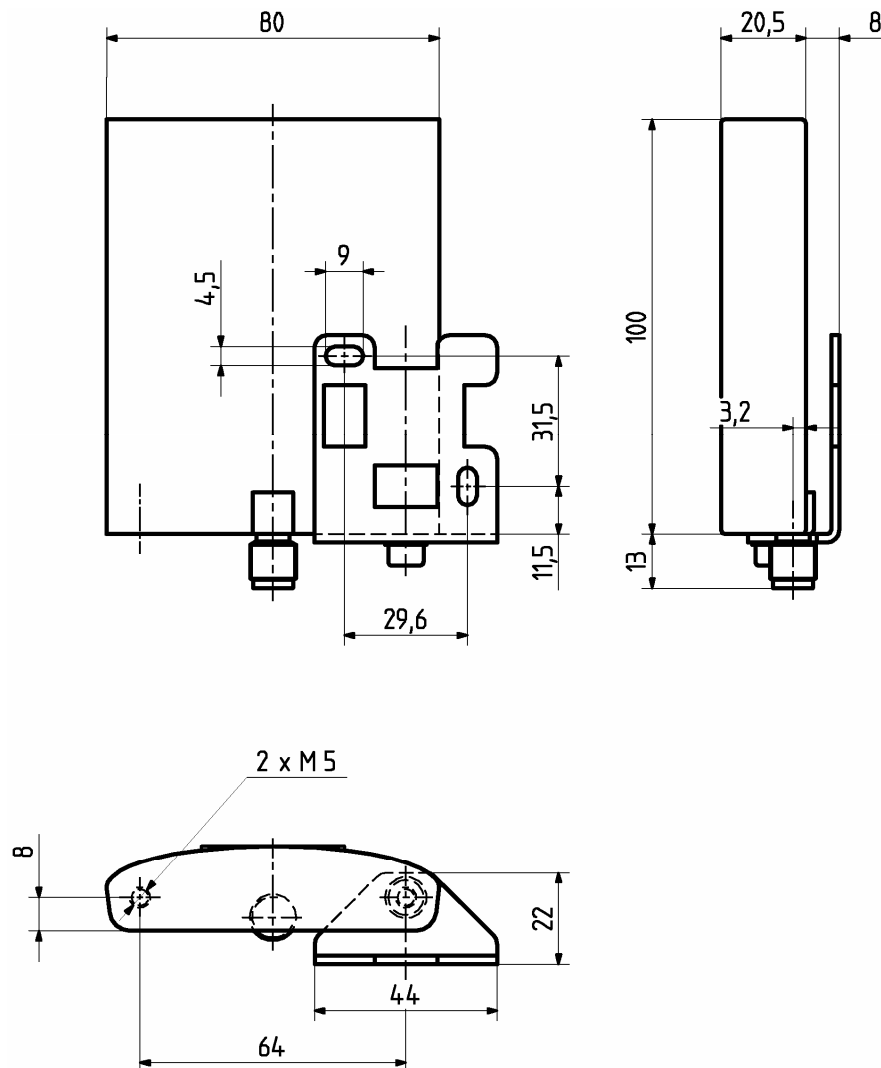
vertical



HUBER+SUHNER® PLANAR ANTENNA FOR WIRELESS COMMUNICATION

SPA 1819/85/8/0/V

Dimensions (mm)



HUBER+SUHNER is certified according to ISO 9001 and ISO 14001

WAIVER!

It is exclusively in written agreements that we provide our customers with warrants and representations as to the technical contained specifications and/or the fitness for any particular purpose. The facts and figures herein are carefully compiled to the best of our knowledge, but they are intended for general informational purposes only.

HUBER+SUHNER – Excellence in Connectivity Solutions

Document no.: 01.02.0887
Issue no.: 8
Supersedes: 04.2006

Uncontrolled Copy

Issued/Checked/Released:
Last amended:

4159/4417/10.2002
4417/07.2006



HUBER+SUHNER AG

RF Technology

9100 Herisau, Switzerland

Phone +41 (0)71 353 41 11

Fax +41 (0)71 353 47 51

www.hubersuhner.com